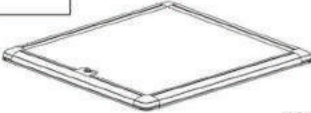
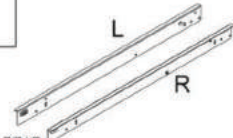
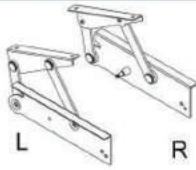








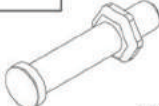




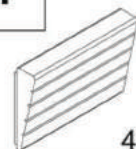


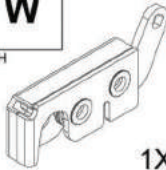
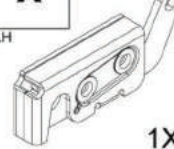




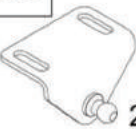










UpStoneEvolve

INSTALLATION INSTRUCTIONS K408

MERCEDES CLASSE X

A  1X	B  REAR 1X	C  L R 1X	D  2X		
E  2X	F  4X	G  M8x25mm 4X	H  M8 x16 Stainless Steel Washer 6X	I  2X	J  M8 Nylock 4X
K  M8 Stainless Steel Spring Washer 2X	L  2X	M  2X			P  M6x18 16X
Q  M6x13mm Zinc 16X	R  M6x10mm 12X	T  4X		U  M10x24mm 4X	V  M8 x16 Zinc Washer 8X
W  RH 1X	X  LH 1X	Y  M5 Cable Bolt, Washer & Dome Nut 2X	Z  2X	AA  2X	
AB  1X	AC  2X	<p>Note 1: If at any stage of installation you find your sportlid to be an unacceptable fit please contact the manufacturer before continuing.</p> <p>Note 2: If required, use Under Rail Bed Liner only. NOT FOR USE WITH OVER RAIL BED LINER!</p> <p>Tools Required:</p>      <p>OPTIONAL</p>   			

Fitting Kit Number
K408

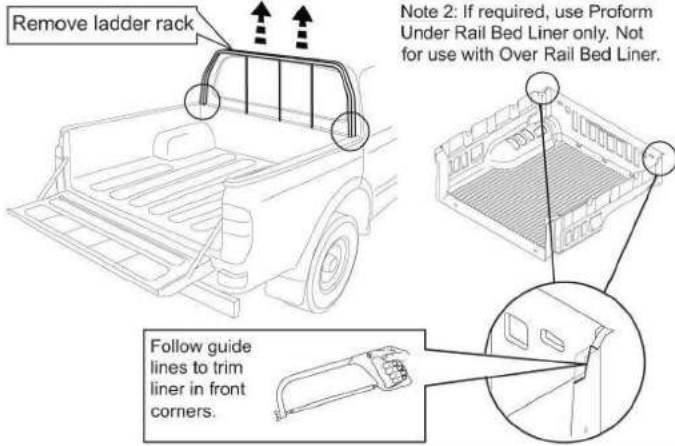
Product
Upstone Lid

Revision
1

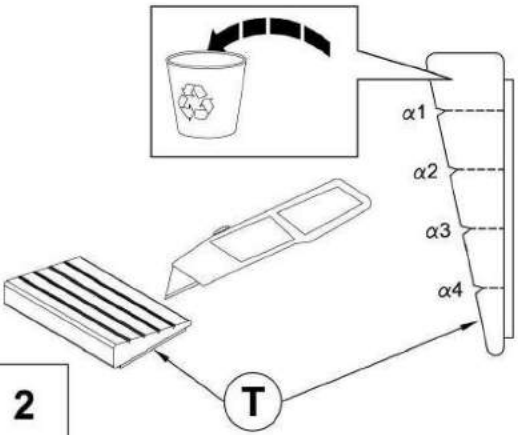
Date
19.03.2018

Page
1 of 7

1

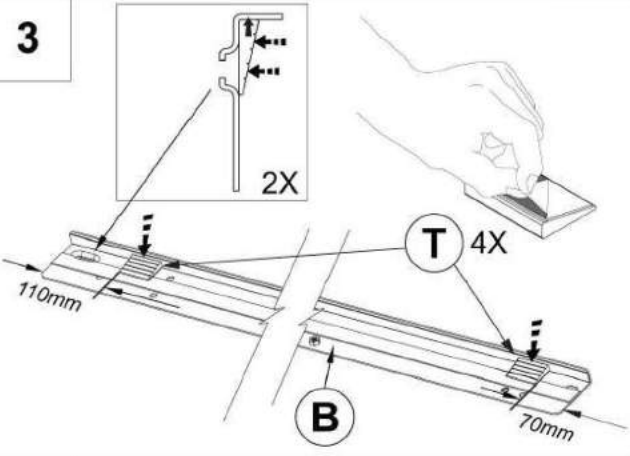


2

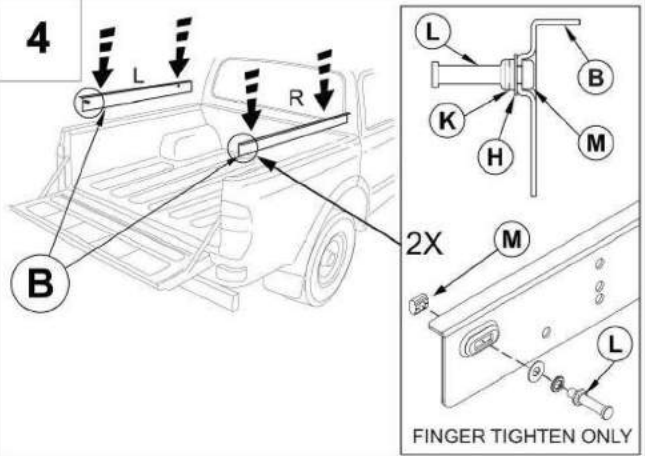


Vehicle Model	α
Mercedes Classe X 2016+	2

3



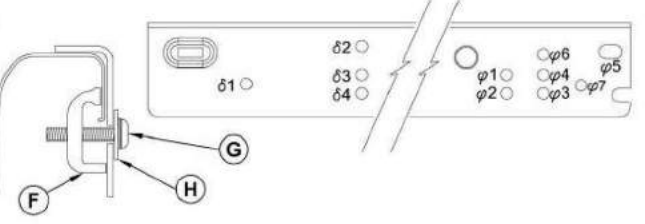
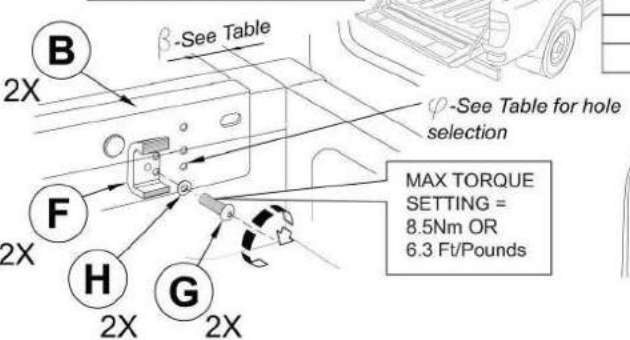
4



5

Place front of side mounting brackets back from inside corners of the cargo box - See table for measurement

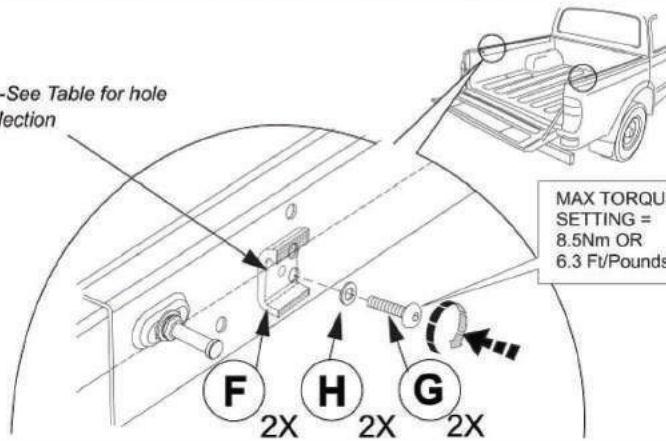
Vehicle Model	β	δ	φ
Mercedes Classe X 2016+	80mm	1	7



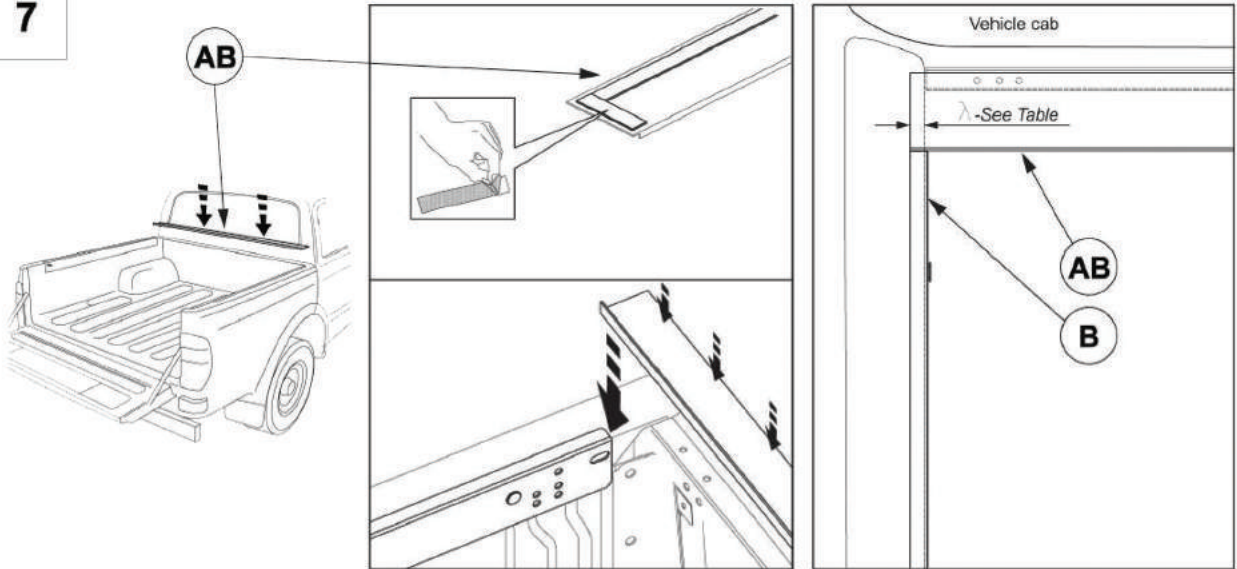
6

⌀ -See Table for hole selection

MAX TORQUE
SETTING =
8.5Nm OR
6.3 Ft/Pounds



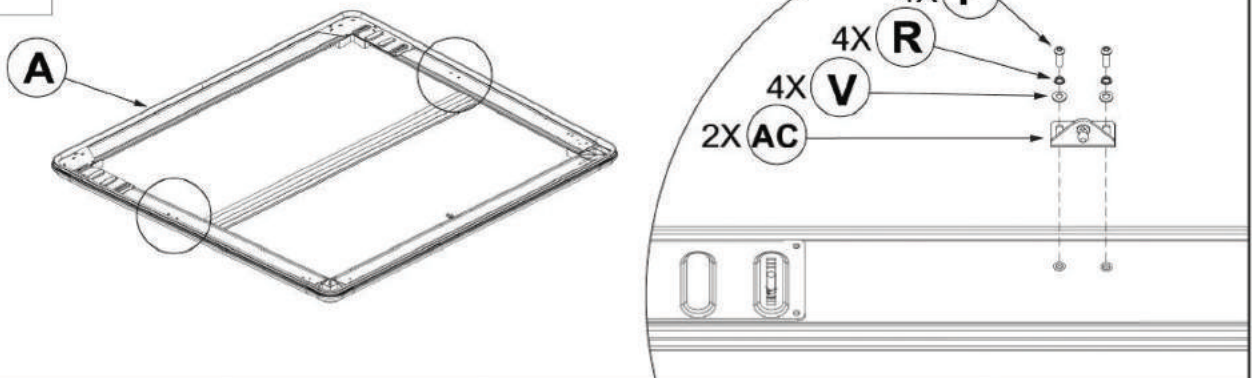
7



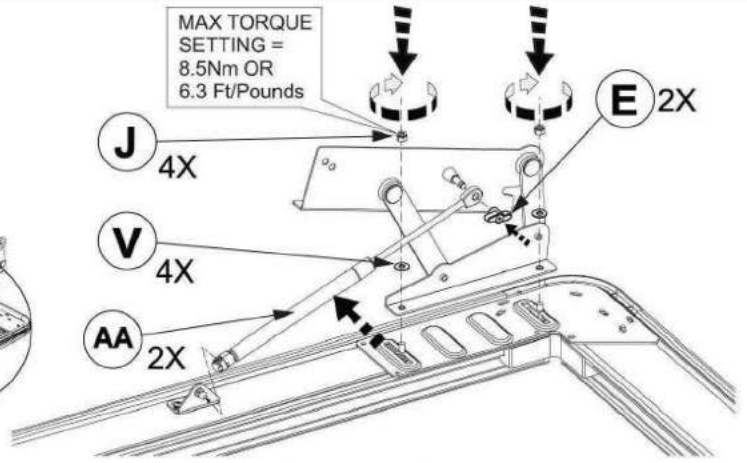
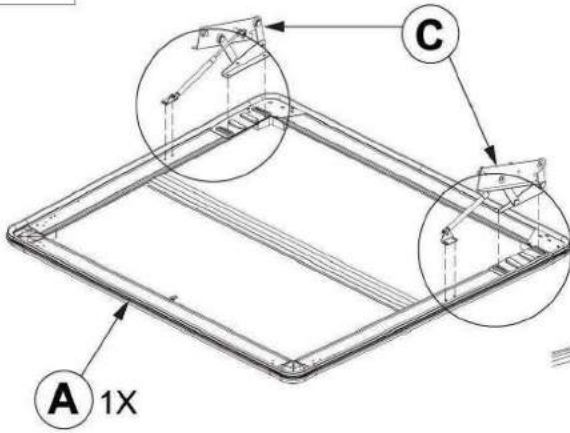
Vehicle Model	λ
Mercedes Classe X 2016+	25mm

! DO NOT apply below 15°C.
Apply pressure to part. Adhesive is pressure activated.
Allow 3hrs minimum to cure before installing lid

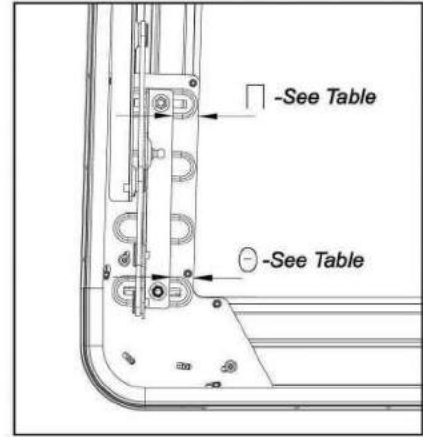
8



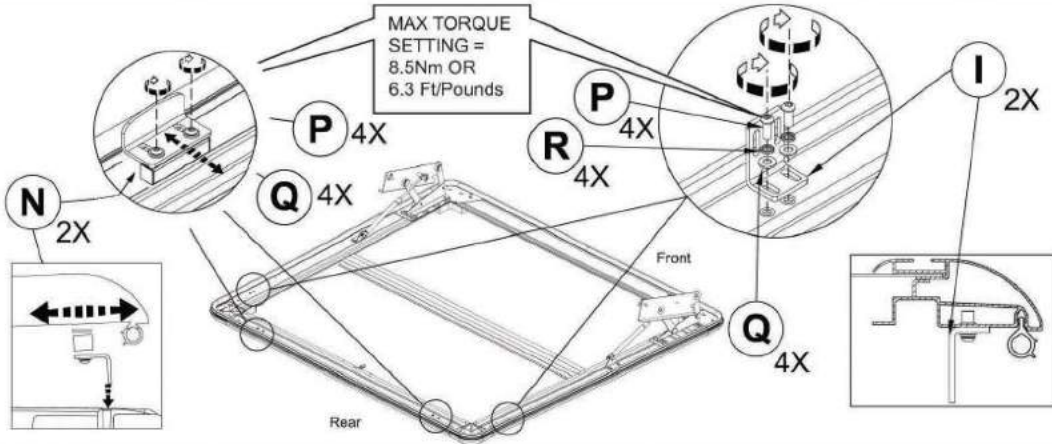
9



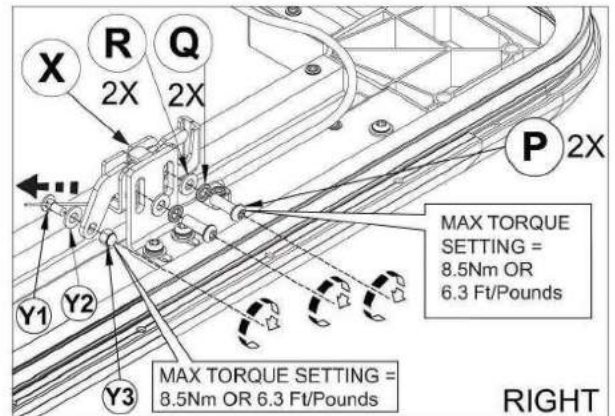
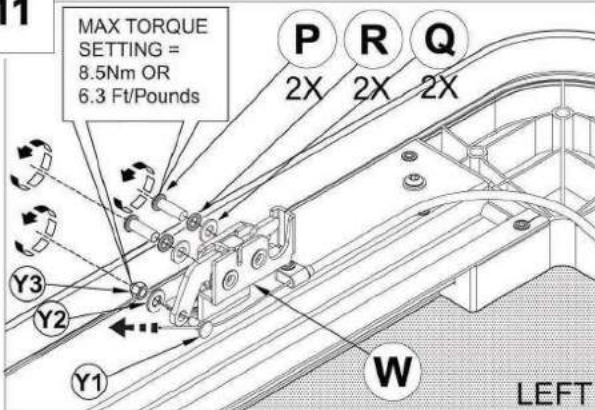
Vehicle Model	□	⊖	Σ
Mercedes Classe X 2016+	25mm	25mm	-



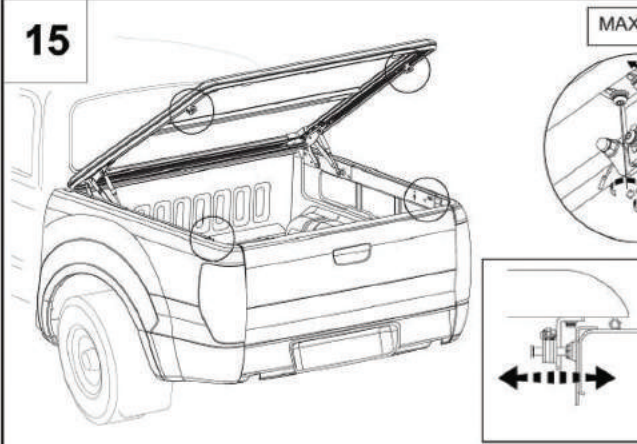
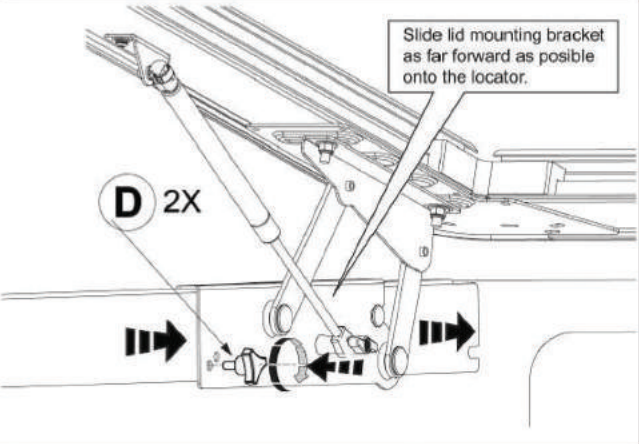
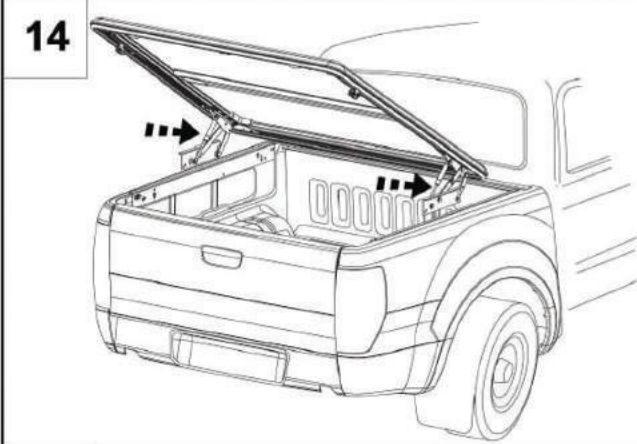
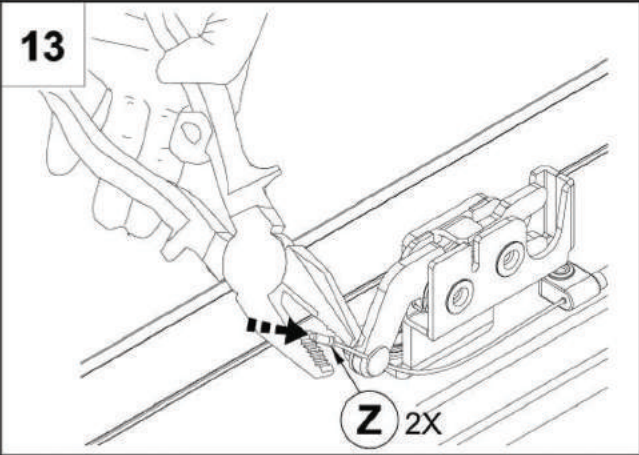
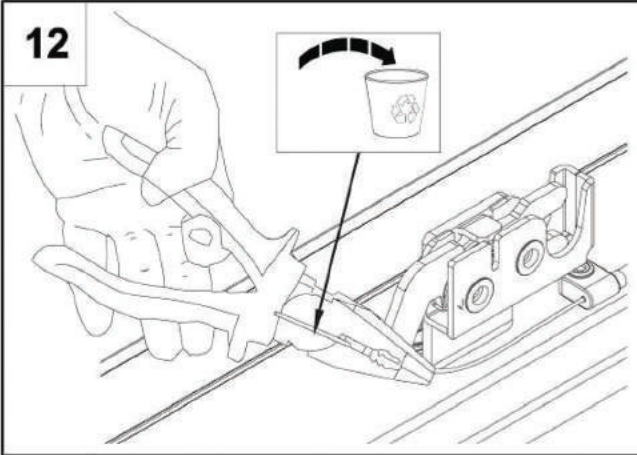
10



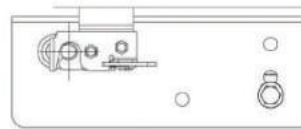
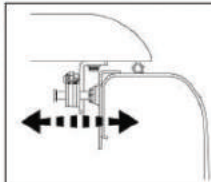
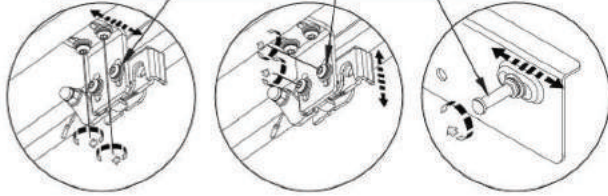
11



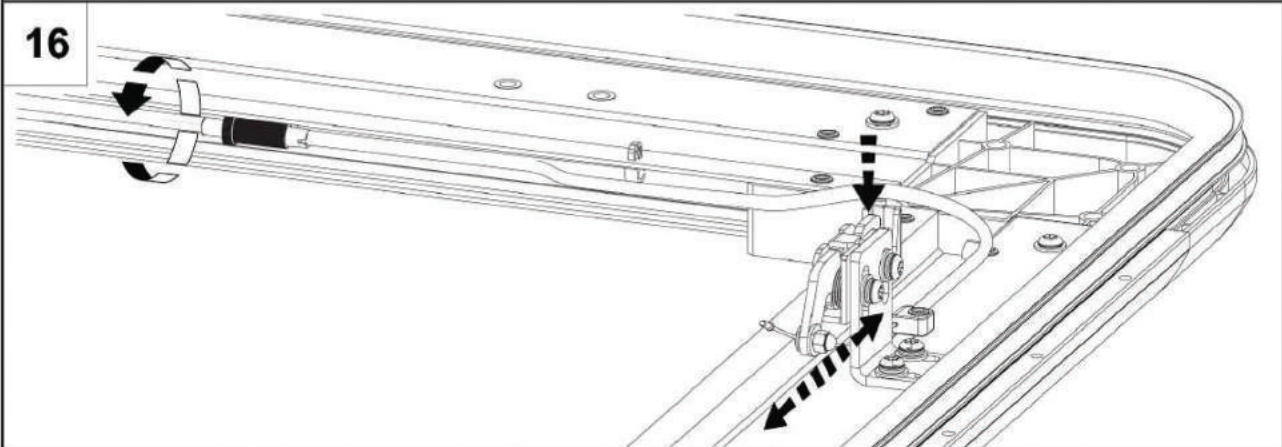
Fitting Kit Number	Product	Revision	Date	Page
K408	Upstone Lid	1	19.03.2018	4 of 7



MAX TORQUE SETTING = 8.5Nm OR 6.3 Ft/Pounds



Adjust latch bracket, latch height and pin location to align pin with centre of latch. Adjust cable tension to achieve correct latching. **IMPORTANT!** : Ensure seal contacts vehicle in all areas

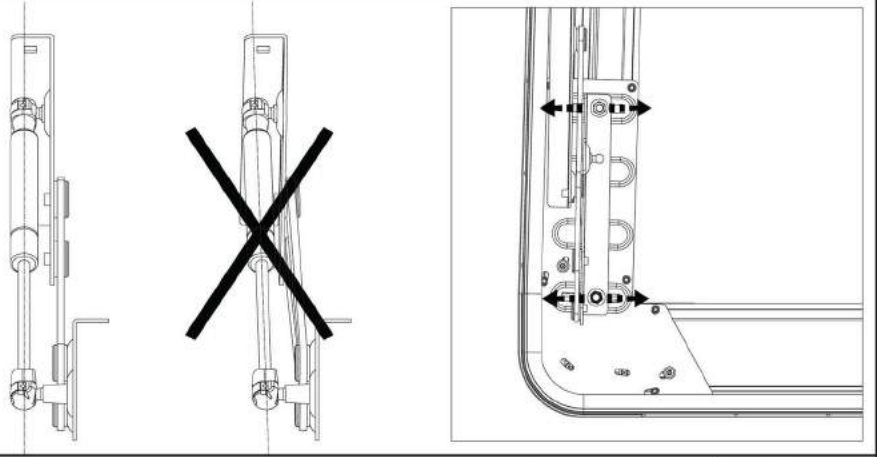


Fitting Kit Number	Product	Revision	Date	Page
K408	Upstone Lid	1	19.03.2018	5 of 7

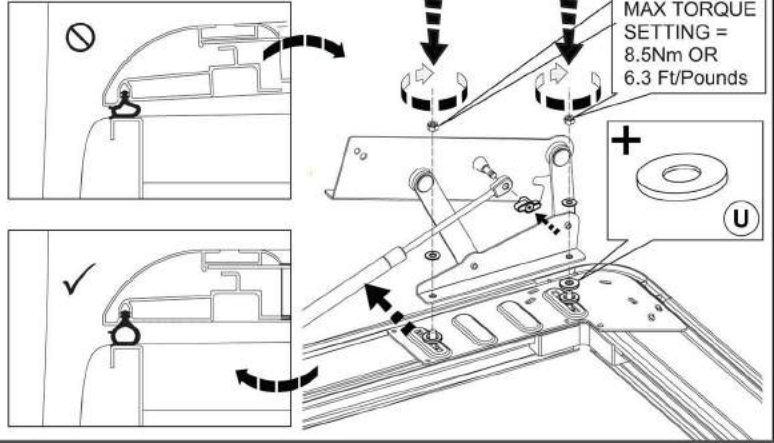
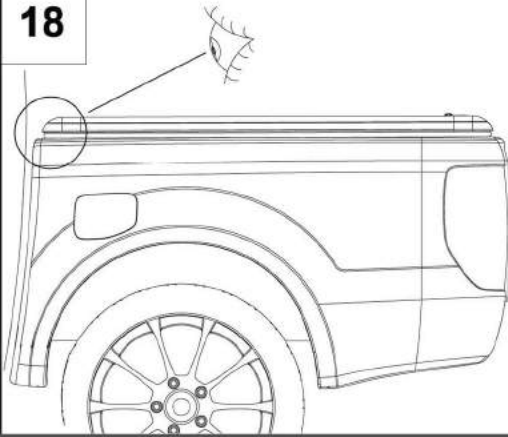
17



Insure hinge is not twisted.
Adjust connection to lid if nessessary.

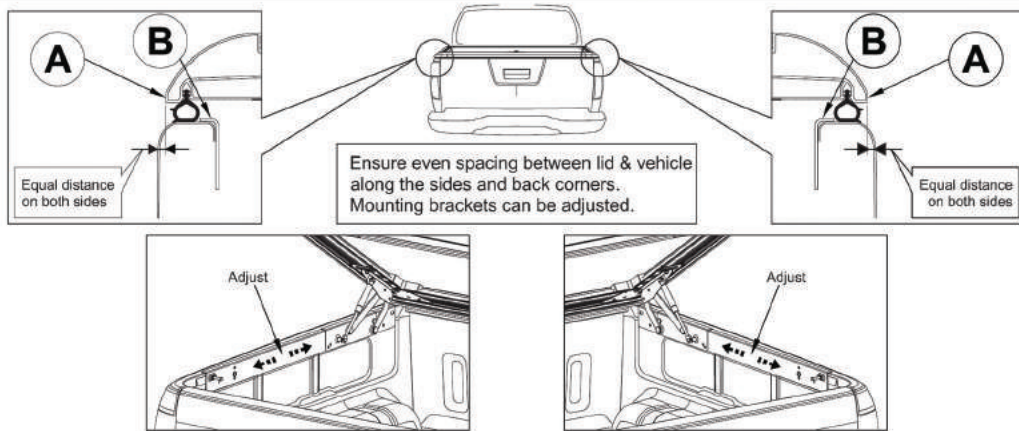


18



Fitting Kit Number	Product	Revision	Date	Page
K408	Upstone Lid	1	01.07.2016	6 of 7

19



After installation carefully and thoroughly clean all debris from the inside of the cargo box.
Retain these instructions for future reference



CAUTION!

- NEVER allow people or animals under the closed cover
- Do not place unsealed solvents or chemicals under the cover
- Do not stand or place heavy objects on the cover
- Do not open lid when under load.
- Close the cover before operating the vehicle
- Do not allow oil, solvents or chemicals to contact the cover
- Clean only with a mild detergent and water solution

Fitting Kit Number	Product	Revision	Date	Page
K408	Upstone Lid	1	01.07.2016	7 of 7



Item Code

RLB76A

:

RLB76AB

Codice Articolo

Référence Article

GB












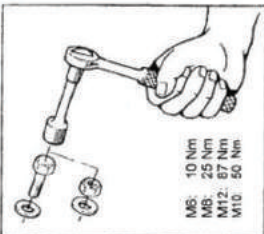
STAINLESS STEEL
MEDIUM BAR

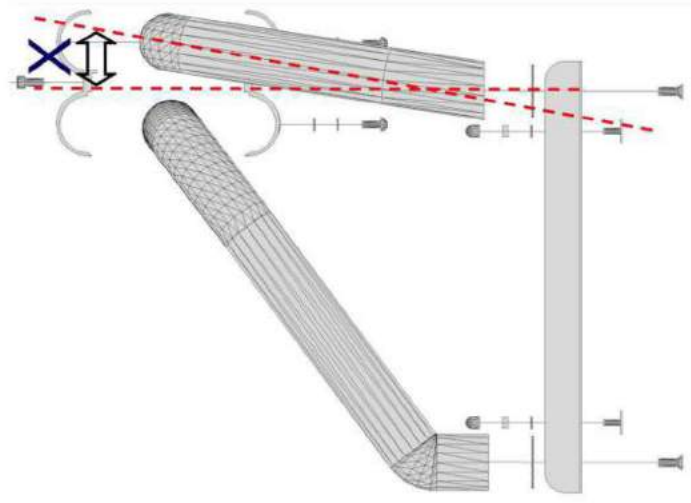
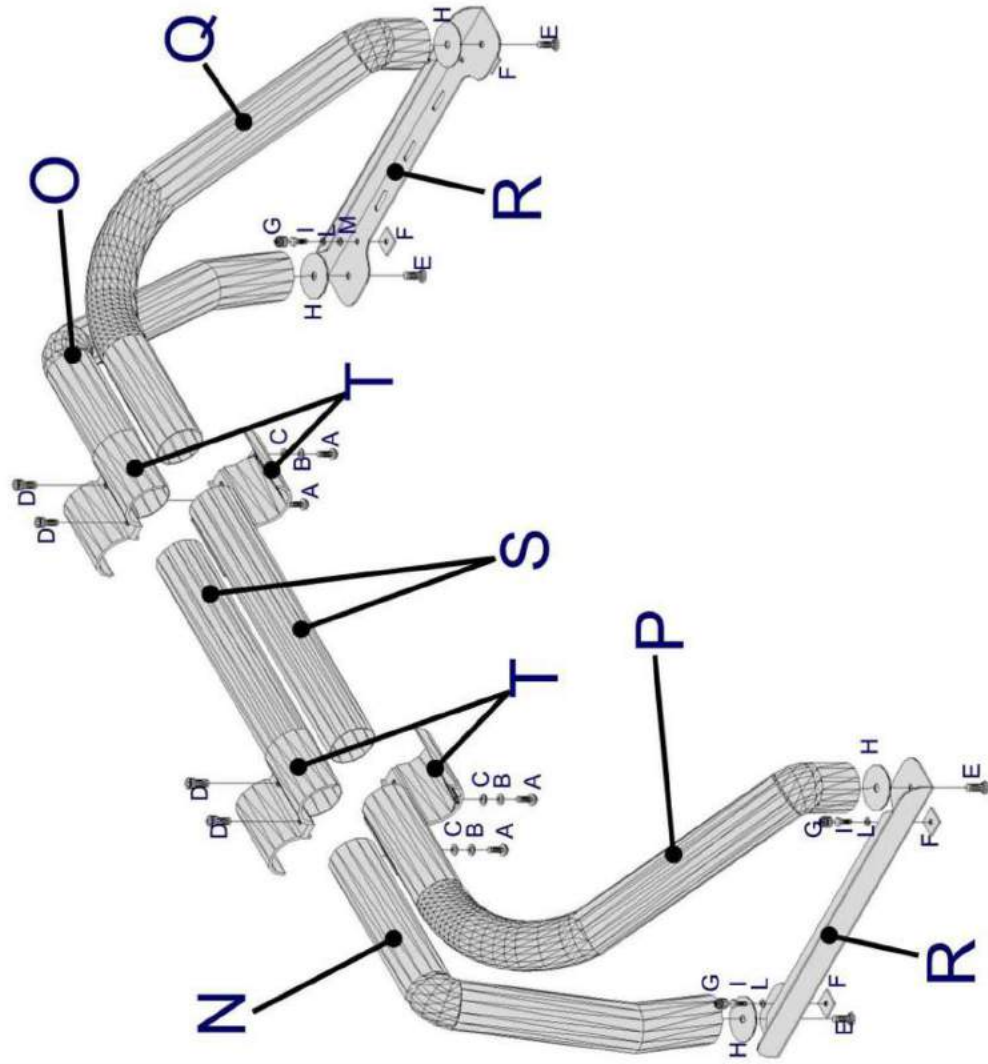
FR

MEDIUM BAR
EN ACCIER INOX

Part List

Liste des pièces

A  TSCEI 8X25 x 4	B  Ø 8 x 4	C  Ø 8 x 4	D  TCEI 10X25 x 4	E  TSPEI M10X25 x 4
F  M6 x 4	G  Cappelletti M 6 x 4	H  VIPLA Ø 80 x 4	I  TE 6X15 x 4	L  BIG Ø 6 GRAND x 4
M  Ø 6 x 4	N AS7/SX x1	O AS7/DX x1	P PS7/SX x1	Q PS7/DX x1
R RLS/7TR x2	S RLB/06 x2	T RLB Ø76 x2		
 <p>M6: 10 Nm M8: 25 Nm M12: 77 Nm M16: 60 Nm</p>				



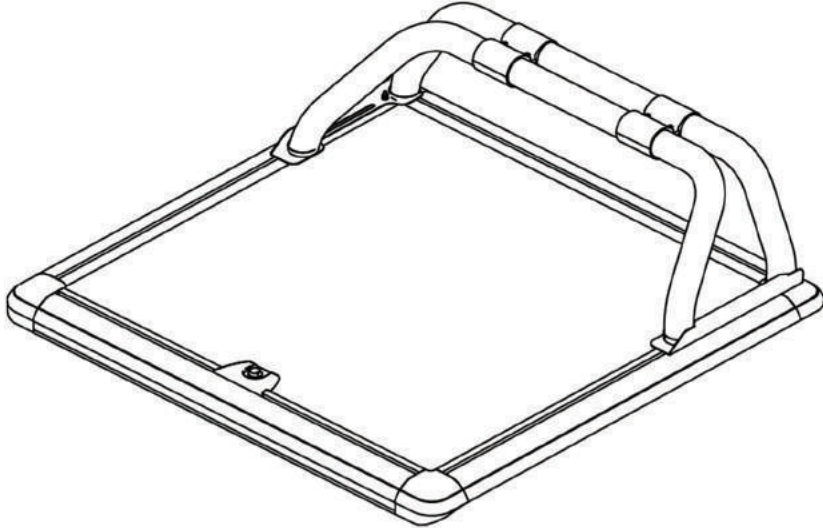
WARNING: fit the N and O front bends as shown in the drawing

ATTENTION: monter les courbes antérieures N et O comme indiqué dans le dessin.

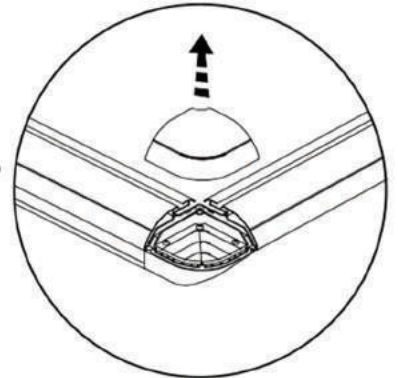
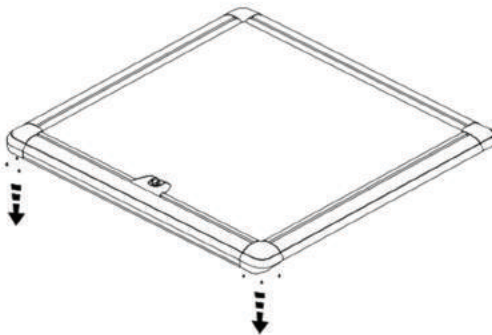
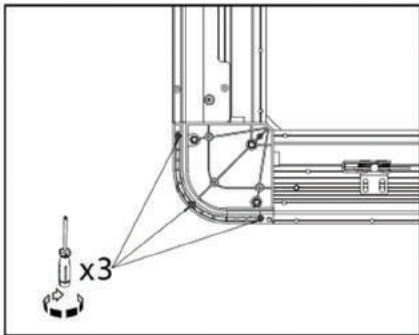
UpStoneEvolve

INSTALLATION INSTRUCTIONS WITH ROLL BAR

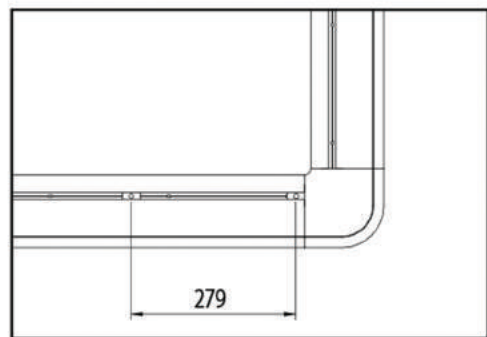
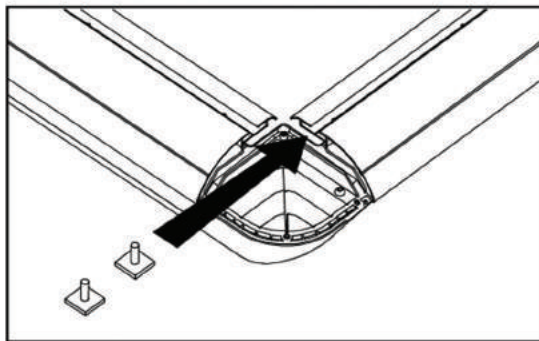
RLB76



- 1** Remove caps by unscrewing the 3 screws in the back corner both left and right.

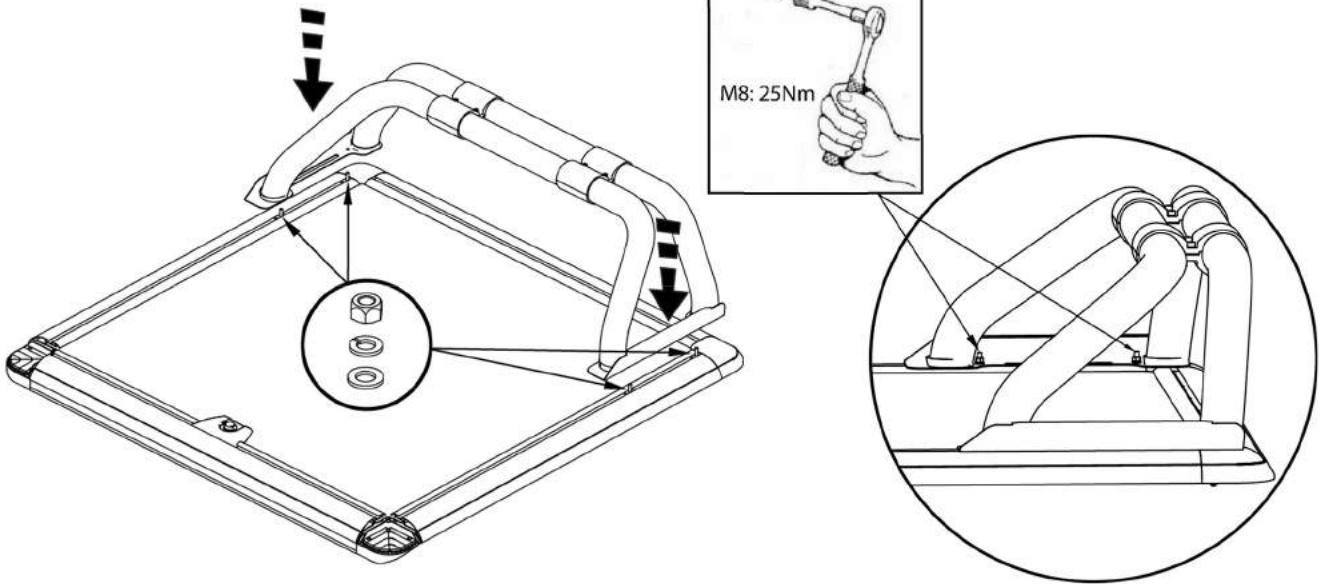


- 2** Insert 2 x Square bolts in both the left and right rails.

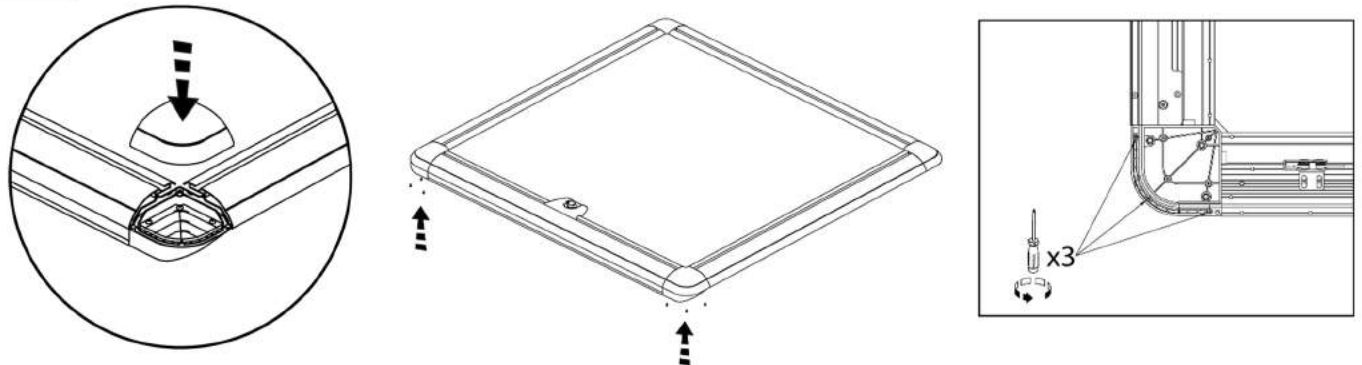


Fitting Kit Number	Product	Revision	Date	Page
RLB76F	Medium SS Bar	1	29.09.2017	1 of 2

3 Place the sport bar onto the cover aligning the holes on the foot plate with the square bolts inserts.
Fix with nut, spring washer and washer.



4 Replace the caps on the covers corners



Fitting Kit Number	Product	Revision	Date	Page
RLB76F	Medium SS Bar	1	29.09.2017	2 of 2

UpStoneEvolve

Info@upstone.fr